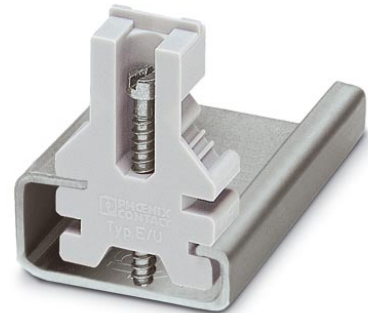


**E/U**

Order No.: 1201455

<http://eshop.phoenixcontact.de/phoenix/treeViewClick.do?UID=1201455>

End bracket, width: 8.5 mm, color: gray

**Commercial data**

EAN	4017918017330
Pack	100 Pcs.
Customs tariff	85369010
Weight/Piece	0.00463 KG

**Product notes**WEEE/RoHS-compliant since:  
09/01/2005

<http://www.download.phoenixcontact.com>  
Please note that the data given here has been taken from the online catalog. For comprehensive information and data, please refer to the user documentation. The General Terms and Conditions of Use apply to Internet downloads.

**Technical data****General data**

Length	23 mm
Width	8.5 mm
Material	PA
Color	gray
Inflammability class acc. to UL 94	V2

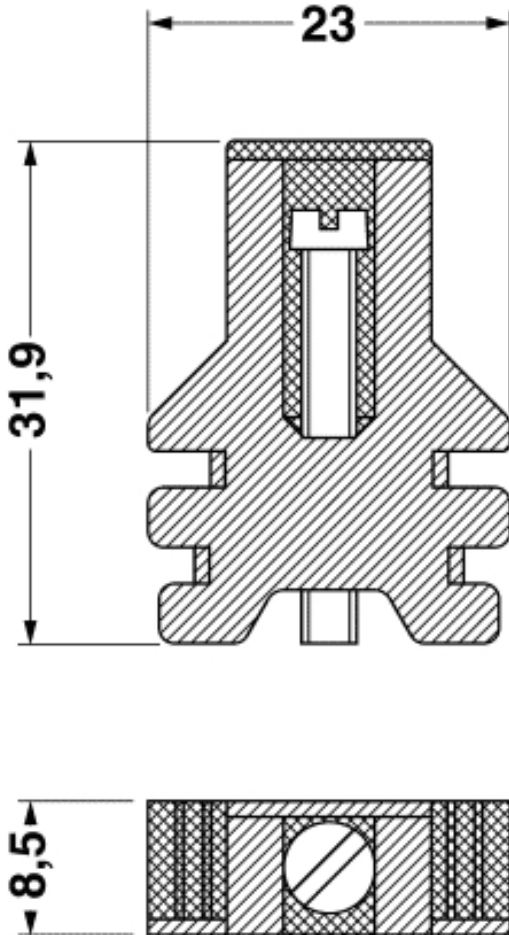
**Accessories**

Item	Designation	Description
<b>Assembly</b>		
1201028	NS 32 AL UNPERF 2000MM	G rail 32 mm (NS 32)
1201280	NS 32 CU/120QMM UNPERF 2000MM	G-profile DIN rail, deep-drawn, material: Copper, unperforated, height 15 mm, width 32 mm, length 2 m
1201358	NS 32 CU/35QMM UNPERF 2000MM	G-profile DIN rail, material: Copper, unperforated, height 15 mm, width 32 mm, length 2 m
1201002	NS 32 PERF 2000MM	G-profile DIN rail, material: Steel, perforated, height 15 mm, width 32 mm, length 2 m
1201015	NS 32 UNPERF 2000MM	G-profile DIN rail, material: Steel, unperforated, height 15 mm, width 32 mm, length 2 m
<b>Marking</b>		
1004089	UBE + ES/KMK 3	Marker carrier, color: Gray for marking groups of terminals, for end clamp E/UK or end clamp E/U, with perforated insert strips, 40 x 17 mm, can be labeled with CMS system
1051003	ZB 6:UNBEDRUCKT	Zack strip, unprinted, strips with 10 labels for individual labeling with M-PEN or CMS system, for terminal block width: 6.2 mm, color: white

## Drawings

Dimensioned drawing

---



**Address**

PHOENIX CONTACT Inc., USA  
586 Fulling Mill Road  
Middletown, PA 17057, USA  
Phone (800) 888-7388  
Fax (717) 944-1625  
<http://www.phoenixcon.com>



© 2008 Phoenix Contact  
Technical modifications reserved;